

SHEAREX

LAND CLEARING ATTACHMENTS



OUR MISSION

Shearex fundamentally transforms forestry and land clearing into a customer-driven experience, fueled through the needs and challenges of the global market.

Shearex is built around the great expertise of its employees. Its mission translates into being a leader manufacturer in land clearing equipment in North America.

Founded in 2020, Shearex is part of the parent company GRYB International - a group of companies aimed at creating the ultimate heavy equipment attachment portfolio in the material handling industries.

GRYB INTL

GRYB

BATEMAN

WINKLE

SHEAREX

SERCO
LOADERS

e-Trak
Technology Solutions

RADETECH
INNOVATION

DALKO
TECH

TABLE OF CONTENT

MULCHERS

Front Mount and Excavator Mulchers

SPECIALTY ATTACHMENTS

Shears, Splitters & Grapples

SHEAREX



DANGER
500mm CLEARANCE

SHEAREX
HM-7000



MULCHERS



COMPATIBILITY

The Shearex mulcher line up offers a wide variety of models and machine compatibility.

FRONT MOUNT MULCHERS

HM AND HD SERIES

- Skidsteer
- Wheel Loader
- Tractor
- Dedicated Carrier
- Bulldozer

EXCAVATOR MULCHERS

VM SERIES

- Excavator
- Forestry Excavator

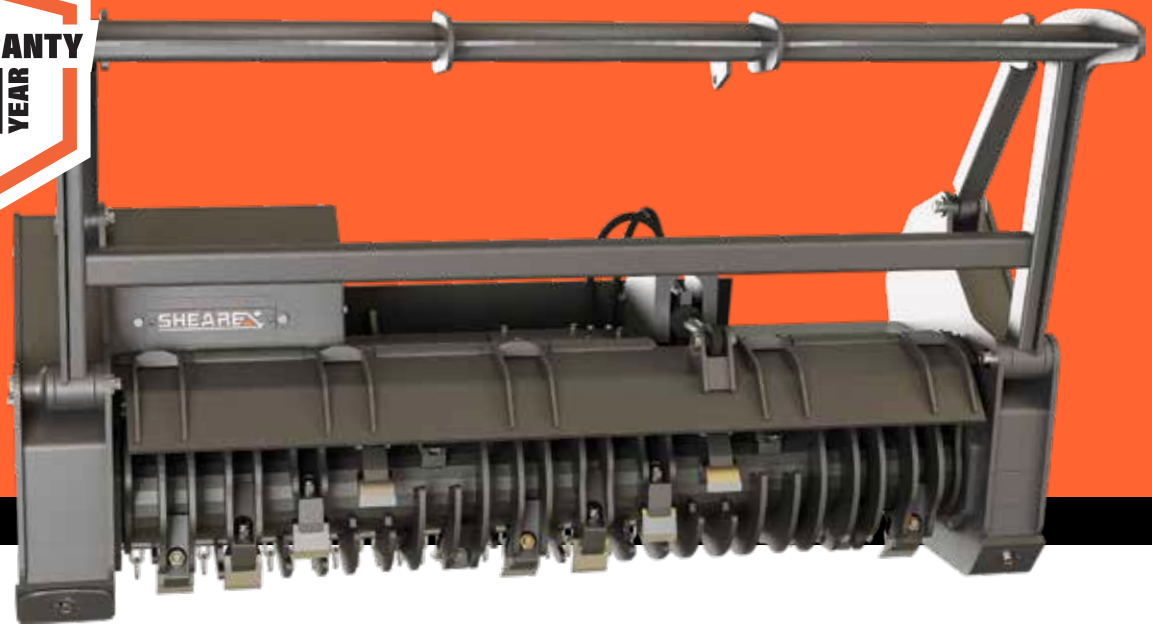
INCLUDED WITH ALL VM AND HM MODELS

CUSTOMER INSTALLATION KIT

Shearex offers with every mulcher purchase a customer kit, including a complete kit of spare blades and hardware, for the maintenance of your attachment. Receive also a DEWALT® battery-powered grinder to sharpen your blades.







FRONT MOUNT BITE LIMITER MULCHER

HM SERIES

Shearex's HM bite limiter mulcher is the ultimate tool for fast and efficient roadside maintenance, invasive species removal, land clearing, and underbrush maintenance.

The front-mount hydraulic mulcher offers the speed and power to complete any land-clearing job.

HYDRAULIC PUSH-BAR

The Hydraulic Push-bar is a convenient piece of equipment that allows the aligning and control of materials during mulching operation.

Reliable and robust, it has been built for heavy duty operations for all the SV series HM mulchers.



NOW AVAILABLE 2 TYPES OF BLADES

Depending on your operation, choose between 2 blade types when ordering your mulcher to provide maximum durability to your equipment.

Shearex **carbide blades** are available for all of your land clearing operation in loam, clay and rocky soils. These hammers provide ground breaking durability to your equipment.

Our advanced **cutting blades** are the pinnacle of efficiency. Designed for land clearing and forestry applications in regions with fine textured soils where high efficiency is key. Offered in both standard and high abrasion resistant materials, ensuring Shearex has the perfect pairing for your application.



CUTTING BLADES

CARBIDE BLADES



- 1 High visibility.
- 2 Poly-Chain® Carbon transmission belt.
- 3 Bolted-on liner and skid shoes made of Hardox® for ultimate wear resistance. Easy maintenance or replacement.
- 4 Closer center of gravity for better handling.
- 5 Heavy duty spirale hydraulic hose protectors. (Not shown)

G2.0 BALANCING STANDARD ZERO VIBRATION ROTOR

Our mulchers respect the highest balancing standards in the industry. Enhance your performance by using the Shearex mulchers, ensuring smoother operation, reducing vibration and minimizing stress on the carrier.

BLADE ANGLE OPTIMISED FOR A PERFECT CUT

Our blade mount design provides greater durability and cutting power. The rotor maintains its power throughout the tooth life.

PROTECTION SYSTEM CONVEX DX™

Our unique Convex DX system uses a double-ring to force the material towards the center of the tooth, effectively reducing the amount of material being cut per pass and alleviating strain on the blade holder.

		HM-60SR	HM-70SR	HM-70DR	HM-70SV	HM-90SV	HM-100SV2
Recommended Minimum Carrier Power	HP (KW)	68 (50)	74 (55)	74 (55)	125 (95)	170 (127)	250 (190)
Cutting Width	IN (CM)	59 (149)	75 (190)	75 (190)	75 (190)	91 (230)	100 (254)
Number of Blades on Rotor		21	27	27	24	33	36
Optimal Target Material Diameter	IN (CM)	6 (15)	8 (20)	8 (20)	10 (25)	15 (40)	24 (60)
Exterior Width	IN (CM)	72 (183)	89 (226)	89 (226)	90 (228.25)	106 (269)	118 (299.25)
Rotor Diameter	IN (CM)	17,625 (45)	17,625 (45)	17,625 (45)	20 (50)	20 (50)	20 (50)
Approximate Typical Weight	LBS (KG)	2,300 (1,043)	3,000 (1,361)	3,285 (1,490)	3,640 (1,655)	4,272 (1,938)	5,094 (2,311)

HYDRAULICS

Variable Displacement Axial Piston Motor	CC	80	110	110	160	160	2x160
Min. Required Continous Flow	GAL/MIN (L/MIN)	23 (87)	33 (133)	33 (133)	52 (197)	52 (197)	95 (360) for 160cc 70 (265) for 110cc
Max. Operating Pressure	PSI (BAR)	6,000 (410)	6,000 (410)	6,000 (410)	6,000 (410)	6,000 (410)	6,000 (410)
Rotating Speed	RPM	2,600	2,600	2,600	2,500	2,300	2,300

FEATURES

Bolt-on Liner	Included	Included	Included	Included	Included	Included
Mechanical Pushbar	Included	Included	Included	Included	Included	Included
Hydraulic Pushbar	N/A	N/A	N/A	Optional	Optional	Optional
Front Deflector	N/A	N/A	Included	N/A	N/A	N/A
Hydraulic Motor Option	N/A	N/A	N/A	N/A	N/A	2 x 110cc

This information is subject to change without notice.



FRONT MOUNT SOLID DRUM MULCHER

HD SERIES

Introducing Shearex's HD solid drum mulcher, the new benchmark for mulching in rough terrain. Ideal for operation in loam, clay and rocky soils, you can easily push through dense vegetation and mulch up to 8-inch diameter trees.

With double carbide teeth and Hardox® liner & skid shoes, the HD Solid Drum provides increased efficiency and durability. Take your land clearing capabilities to the next level with the unmatched performance of Shearex's solid drum mulcher.

The HD series mulcher is comprised of double carbide tools and high resistance carbide teeth on both ends for optimal durability and performance. Cutting edge counter blades provide maximum mulching efficiency and quality. Bolt-on inner blades for easy maintenance and optimized uptime.



STANDARD



HIGH RESISTANCE



COUNTER BLADES



**G2.0 BALANCING STANDARD
ZERO VIBRATION
ROTOR**

Our mulchers respect the highest balancing standard in the industry. Enhance your performance by using the Shearex mulchers, ensuring smoother operation, reducing vibration and minimizing stress on the carrier.

- 1 Poly-Chain® Carbon transmission belt.**
- 2 Liner and skid shoes made of Hardox® for ultimate wear resistance.**
- 3 High visibility.**
- 4 Fastest Rotor Recovery.**
- 5 Closer center of gravity for better handling.**
- 6 Unique hose guard to avoid getting tangled in branches.**
- 7 Heavy duty spirale hydraulic hose protectors.**

HD-60SX

Recommended Carrier Power	HP (KW)	74 (55) to 132 (98)
Cutting Width	IN (CM)	60 (150)
Number of Hammers on Rotor		34
Optimal Target Material Diameter	IN (CM)	8 (20)
Exterior Width	IN (CM)	72.56 (184)
Rotor Diameter	IN (CM)	16.25 (41)
Approximate Typical Weight	LBS (KG)	2,775 (1,259)

This information is subject to change without notice.

HYDRAULICS

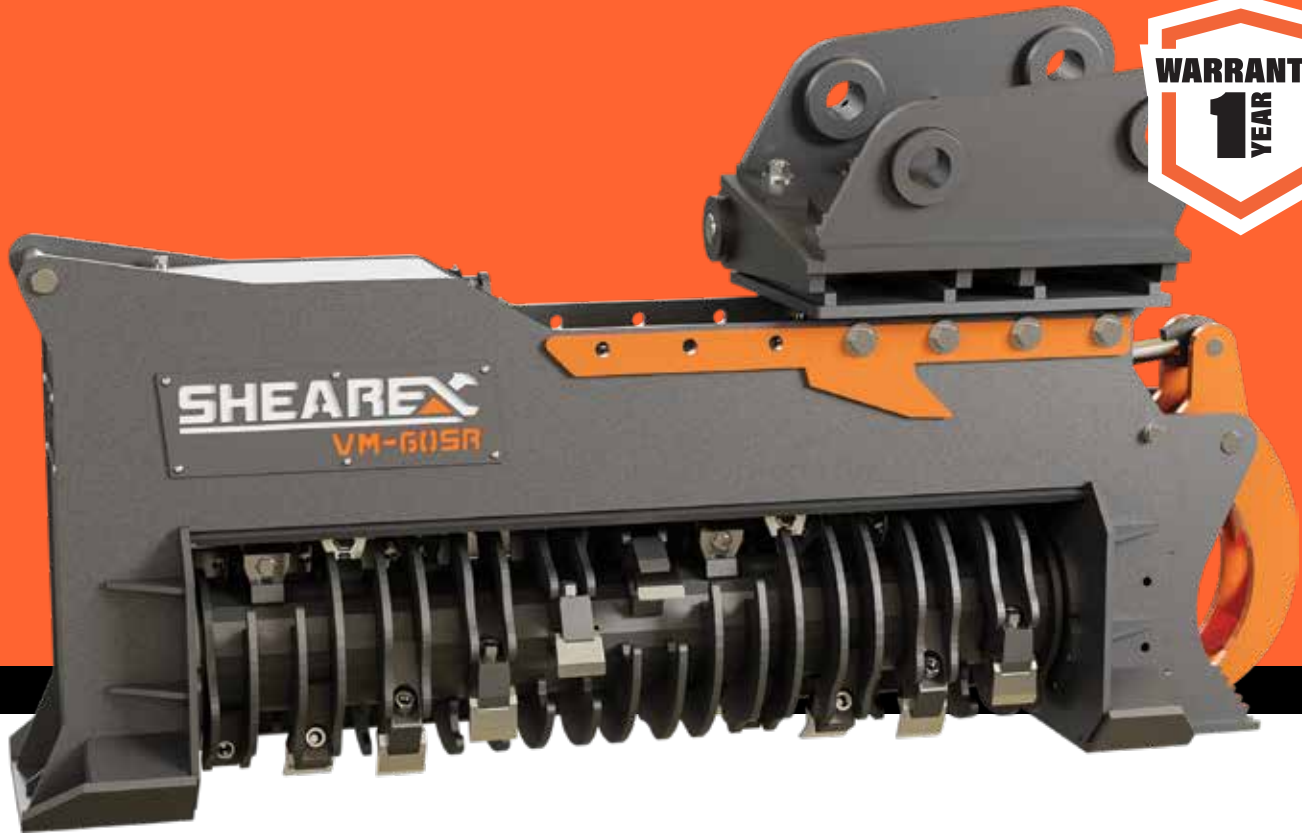
Variable Displacement Axial Piston Motor	CC	110
Min. Required Continuous Flow	GAL/MIN (L/MIN)	28 (106)
Max. Allowed Continuous Flow	GAL/MIN (L/MIN)	46 (174)
Max. Operating Pressure	PSI (BAR)	6,000 (410)
Rotating Speed	RPM	2,000

FEATURES

Pin-on Mechanical Pushbar	Included
Front Door	Optional
Bite Limiter Rotor	Optional







EXCAVATOR BITE LIMITER MULCHER

VM SERIES

COUPLING

Shearex provides the standard attachment bracket to couple the mulcher to the carrier. Shearex is also able to make a coupler adapted to any brand of carrier you might have.



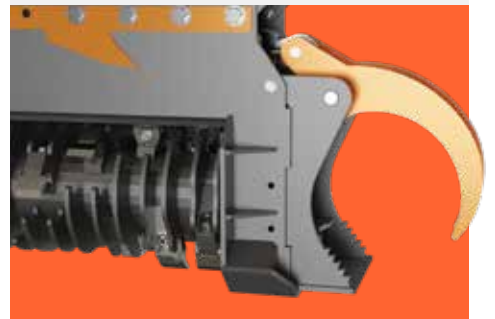
TILTING SYSTEM

Essential tool for facilitating work *at height* for the operator of an excavator by more easily visualizing the trajectory of the mulcher's rotor.



OPTIONAL GRAPPLE SYSTEM

Move and sort through smaller material or pile them up for greater mulching control.





- 1 High visibility.**
- 2 Poly-Chain® Carbon transmission belt.**
- 3 Bolted-on liner and skid shoes made of Hardox® for ultimate wear resistance. Easy maintenance or replacement.**
- 4 Closer center of gravity for better handling.**
- 5 Heavy duty spirale hydraulic hose protectors. (Not shown)**

G2.0 BALANCING STANDARD ZERO VIBRATION ROTOR

Our mulchers respect the highest balancing standards in the industry. Enhance your performance by using the Shearex mulchers, ensuring smoother operation, reducing vibration and minimizing stress on the carrier.

BLADE ANGLE OPTIMISED FOR A PERFECT CUT

Our blade mount design provides greater durability and cutting power. The rotor maintains its power throughout the tooth life.

PROTECTION SYSTEM CONVEX DX™

Our unique Convex DX system uses a double-ring to force the material towards the center of the tooth, effectively reducing the amount of material being cut per pass and alleviating strain on the blade holder.

		VM-25SK	VM-35SK	VM-40SL	VM-50SR	VM-60SR	VM-65SV
Excavator Size	T (LBS)	5 to 8 (11,000 to 18,000)	8 to 12 (18,000 to 26,000)	12 to 15 (26,000 to 33,000)	15 to 20 (33,000 to 44,000)	20 to 25 (44,000 to 55,000)	25 to 40 (55,000 to 88,000)
Recommended Min. Carrier Power	KW (HP)	37 (50)	40 (54)	48 (65)	59 (80)	96 (130)	127 (170)
Cutting Width	IN (CM)	28 (70)	37 (94.5)	42 (106.7)	48 (123)	59 (149)	65 (165)
Number of Blades on Rotor		9	11	14	17	21	21
Opt. Target Material Dia.	IN (CM)	<4 (<10)	4 (10)	6 (15)	10 (25)	15 (40)	20 (50)
Exterior Width	IN (CM)	23 (58)	25 (63)	25 (64.5)	28 (71)	28 (71)	29 (74)
Rotor Diameter	IN (CM)	15 (38)	15 (38)	16 (41)	18 (45)	18 (45)	20 (50)
Approximate Weight	LBS (KG)	1,100 (499)	1,150 (522)	1,668 (757)	2,150 (975)	2,614 (1,188)	3,707 (1,681)

HYDRAULICS

Variable Displacement Axial Piston Motor	CC	28	60	80	110	110	160
Min. Required Continous Flow	GAL/MIN (L/MIN)	13 (49)	20 (76)	30 (114)	42 (159)	42 (159)	51 (193)
Max. Operating Pressure	PSI (BAR)	6,000 (410)	6,000 (410)	6,000 (410)	6,000 (410)	6,000 (410)	6,000 (410)
Rotating Speed	RPM	3,800	3,400	3,500	3,000	3,000	3,000

FEATURES

Tilting System	Optional	Optional	Optional	Optional	Optional	Optional
Bolt-on Wear Liner	N/A	N/A	Included	Included	Included	Included
Grapple System	N/A	Optional	Optional	Optional	Optional	Optional

This information is subject to change without notice.





SPECIALTY ATTACHMENTS

HARVESTER SHEAR

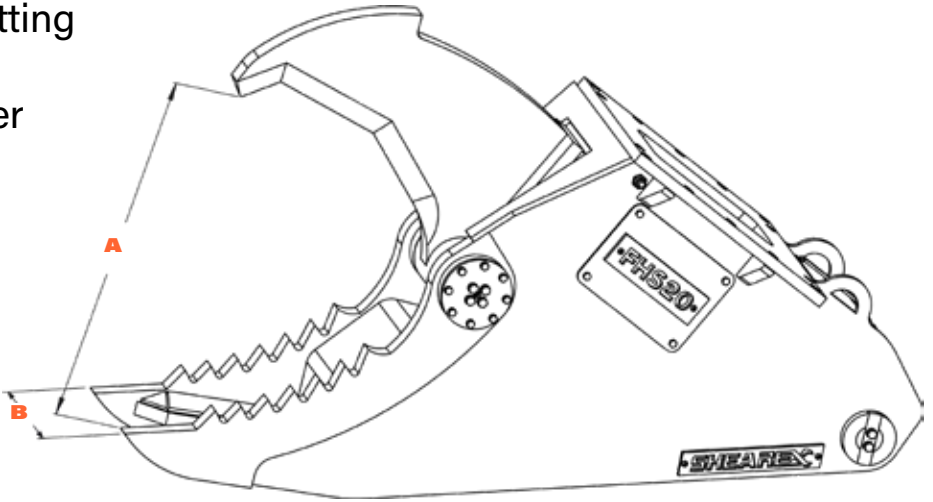
FHS SERIES

Finish your land clearing jobs in-depth by uprooting and cutting roots, stumps, and biomass beyond the reach of your other land clearing tools.

**LOW
MAINTENANCE**

**EXTREME
CUTTING FORCE**

**HIGH-QUALITY
STEEL**



MODEL	CARRIER	WEIGHT LBS (KG)	OPENING IN (MM) A	WIDTH IN (MM) B	DEPTH IN (MM)	PRESSURE PSI (BAR)	FORCE T
FHS20	15t-25t	2,680 (1,218)	39 (990)	15 (400)	28 (711)	5,000 (350)	30
FHS30	25t-35t	4,640 (2,110)	55 (1,400)	18 (457)	37 (940)	5,000 (350)	45

This information is subject to change without notice.





STUMP SHEAR

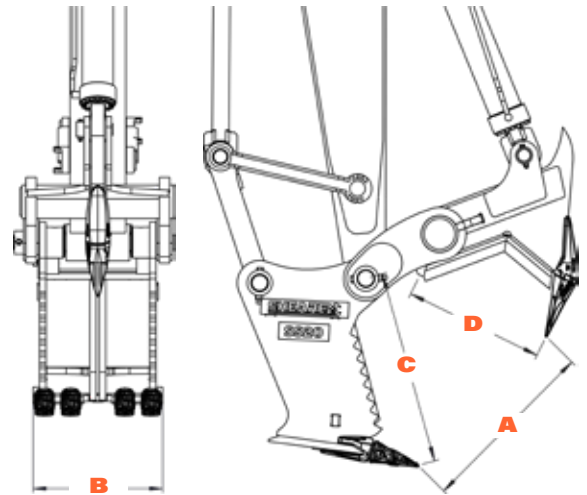
SS SERIES

EASY MAINTENANCE

POWERFUL GRIP

IDEAL FOR LAND CLEARING

AVAILABLE IN HYDRAULIC OR MECHANICAL CONFIGURATIONS



MODEL	CARRIER	WEIGHT LBS (KG)	OPENING IN (MM) A	WIDTH IN (MM) B	TIP RADIUS IN (MM) C	CUT LENGTH IN (MM) D
SS16	12t-16t	2,315 (1,050)	52 (1,321)	22 (559)	32 (813)	21 (533)
SS16M	12t-16t	2,315 (1,050)	52 (1,321)	22 (559)	32 (813)	21 (533)
SS20	15t-24t	2,811 (1,275)	58 (1,473)	25 (635)	34 (864)	24 (610)
SS20M	15t-24t	2,811 (1,275)	58 (1,473)	25 (635)	34 (864)	24 (610)
SS27	18t-25t	3,858 (1,750)	64 (1,626)	30 (762)	42 (1,067)	30 (762)
SS27M	18t-25t	3,858 (1,750)	64 (1,626)	30 (762)	42 (1,067)	30 (762)
SS30	25t-38t	5,512 (2,500)	68 (1,727)	30 (762)	43 (1,092)	31 (787)
SS30M	25t-38t	5,512 (2,500)	68 (1,727)	30 (762)	43 (1,092)	31 (787)
SS40	30t-50t	7,716 (3,500)	72 (1,828)	32 (813)	48 (1,219)	34 (864)

This information is subject to change without notice.



TREE SHEAR

FTS SERIES

With its multiple tree capacity, it's powerful replaceable cutting blade and it's 360 degrees rotation the Shearex tree shear is a natural choice for those who seek to cut down a whole tree in a matter of seconds.

The tree shear is available for 3 to 35 ton excavators.

IDEAL FOR FORESTRY

Rapidly cut and move whole trees for other specialised units to transport and process. The Shearex tree shear is an effective and easy way to jumpstart your forestry production output.

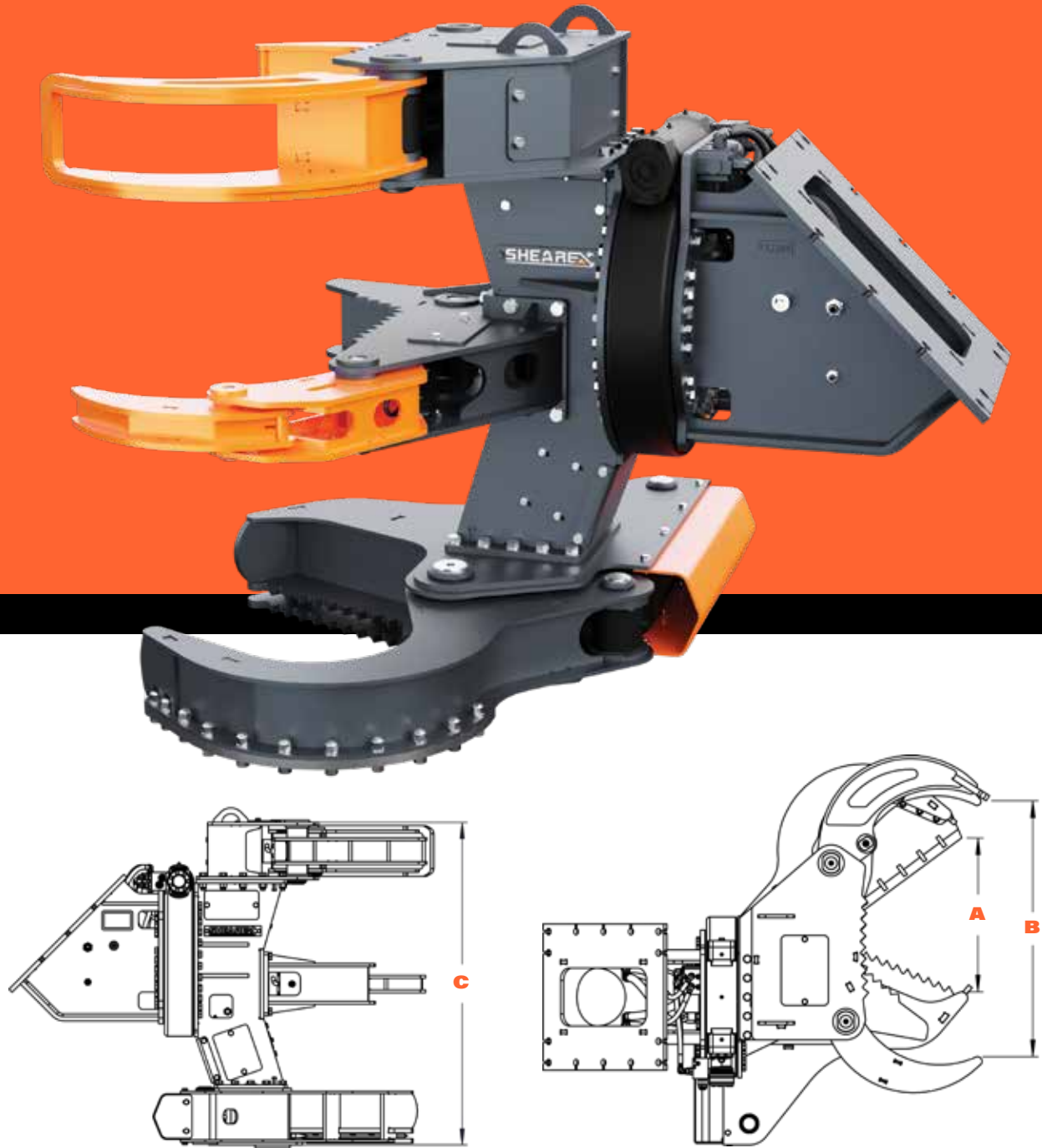
EASY MAINTENANCE

OPTIONAL ACCUMULATOR

POWERFUL GRIP & CUT

360 DEGREES OF POWERFUL ROTATION

PROTECTED CYLINDERS



MODEL	CARRIER	WEIGHT LBS (KG)	OPENING IN (MM) A	GRAPPLING IN (MM) B	HEIGHT IN (MM) C	FORCE T	PRESSURE PSI (BAR)	HYD. FLOW GPM (L/MIN)
FTS05	3t-7t	750 (341)*	35 (889)	35 (889)	23 (584)	11	3,191 (220)	13-15 (50-60)
FTS07	5t-9t	950 (431)*	35 (889)	35 (889)	24 (609)	11	3,191 (220)	13-15 (50-60)
FTS12	8t-14t	1,300 (590)*	18 (457)	33.5 (850)	47(1,194)	16	3,626 (250)	15-21 (60-80)
FTS16	12t-18t	2,420 (1,100)*	25 (635)	43 (1,092)	56 (1,422)	37	4,351 (300)	21-26 (80-100)
FTS20	16t-24t	3,960 (1,800)*	30 (749)	43 (1,092)	68 (1,727)	45	4,351 (300)	34-40 (130-150)
FTS25	21t-35t	4,620 (2,100)*	34 (850)	59 (1,498)	73 (1,854)	51	4,351 (300)	40-48 (150-180)

*Weight does not include rotation and accumulator. This information is subject to change without notice.



WOOD CONE SPLITTER

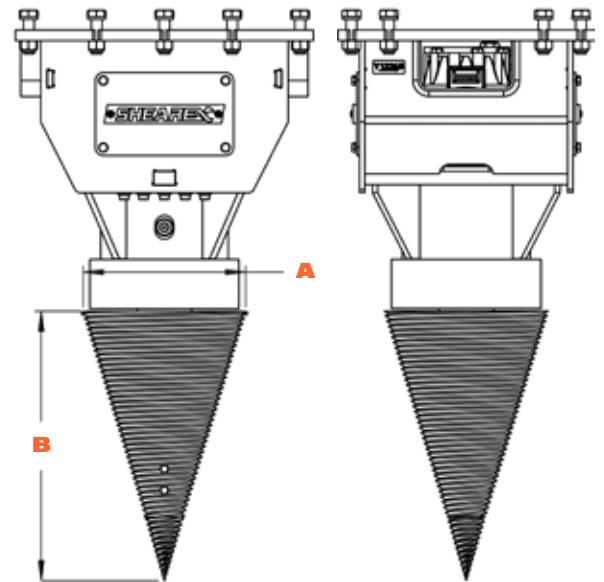
FWS SERIES

Split your logs with power and ease. The wood cone splitter quickly handles large workloads.

**IDEAL FOR
FORESTRY**

**EASY TO
MAINTAIN**

**IMPRESSIVE
SPLITTING POWER**



MODEL	CARRIER	WEIGHT LBS (KG)	DIAMETER IN (MM) A	HEIGHT IN (MM) B	PRESSURE PSI (BAR)	HYD. FLOW GPM (L/MIN)	TORQUE LBS-FT (NW)
FWS09	3.0t-9t	700 (318)	13.5 (343)	22 (559)	5,000 (350)	10-25 (38-100)	11,400 (15,500)
FWS30	10t-30t	1,650 (750)	15.5 (394)	25 (635)	5,000 (350)	20-50 (75-190)	11,400 (15,500)

This information is subject to change without notice.



SHEAREX

**GRYB
INTL**

1-579-213-0350 - INFO@SHEAREX.COM

FOLLOW US     



SHEAREX.COM

SH-CA-ALL_PRODUCT-E-24-01